

PS014 SERIES

PUSH BUTTON SWITCH



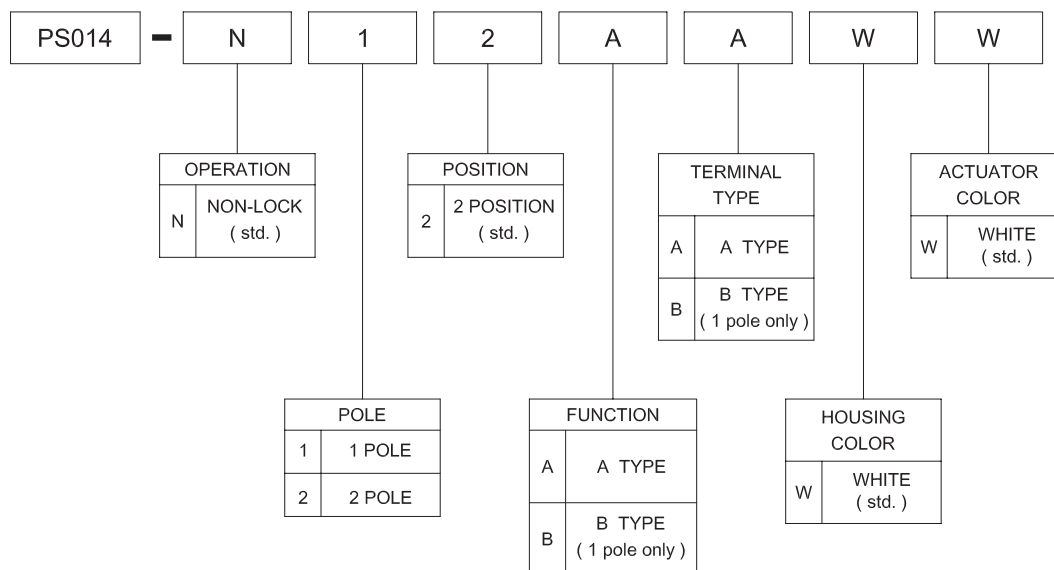
Feature -
 push / pull switch
 SPDT, DPDT, momentary function

Application -
 equipments
 game machines
 office appliances
 electrical home appliances

► SPECIFICATIONS

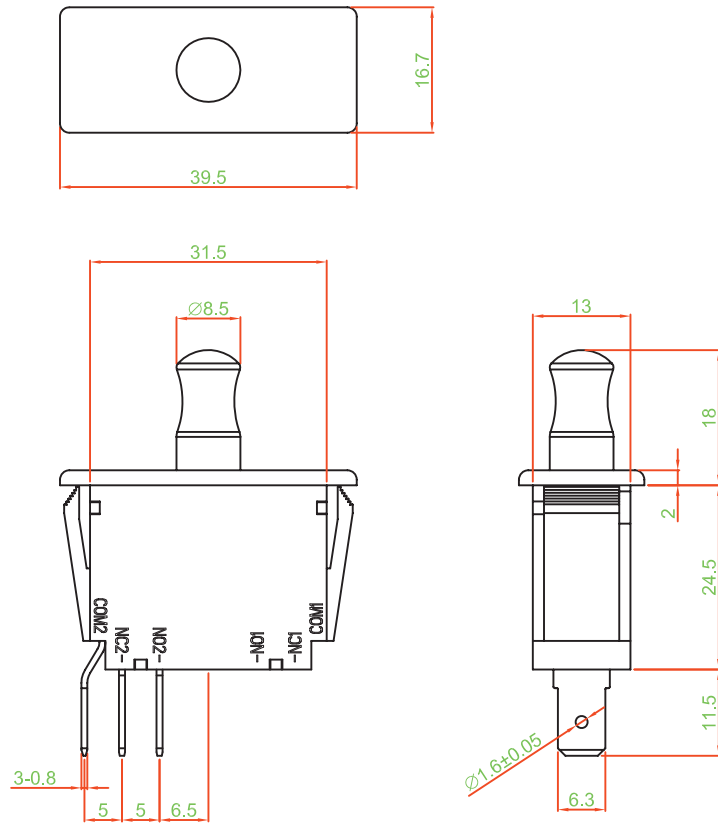
SWITCH SPECIFICATIONS			
POLE - POSITION	Momentary type , SPDT , DPDT		
CONTACT RATING	250 V AC , 10(6) A		
CONTACT RESISTANCE	100 mΩ MAX. 1.5 V DC ; 100 mA , by method of voltage DROP		
INSULATION RESISTANCE	500 MΩ MIN. 500 V DC		
DIELECTRIC STRENGTH	Breakdown is not allowable ; 1000 V AC for 1 minute		
OPERATING FORCE	<table border="1"> <tr> <td>SPDT : PUSH : 400±100 PULL : 450±200</td> <td>DPDT : PUSH : 500±200 PULL : 700±300</td> </tr> </table>	SPDT : PUSH : 400±100 PULL : 450±200	DPDT : PUSH : 500±200 PULL : 700±300
SPDT : PUSH : 400±100 PULL : 450±200	DPDT : PUSH : 500±200 PULL : 700±300		
OPERATING LIFE	50,000 cycles		
OPERATING TEMPERATURE RANGE	-20°C ~ 70°C		
TOTAL TRAVEL	5.5 ± 0.3 mm		

► HOW TO ORDER

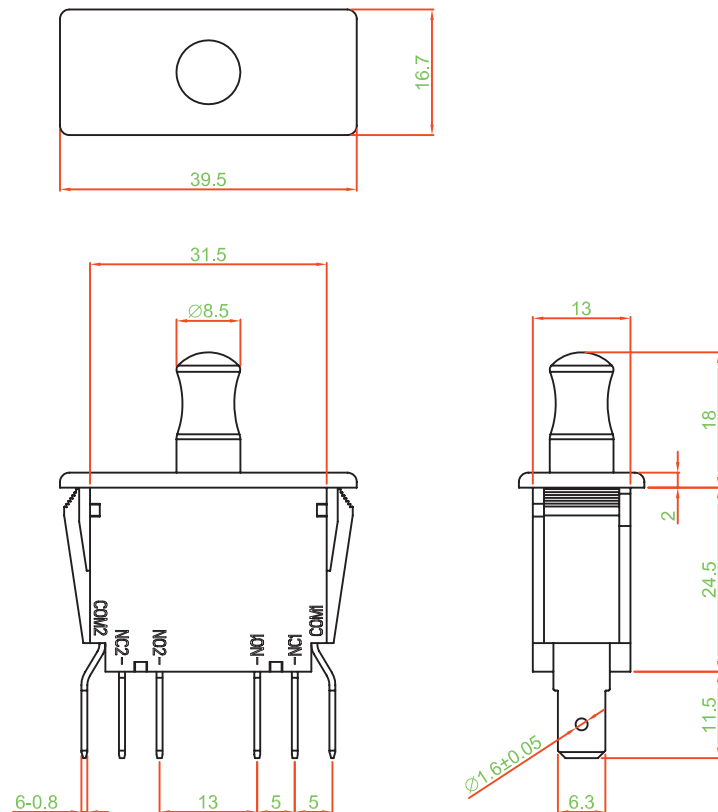


► DIMENSION

PS014-N12AAWW



PS014-N22AAWW

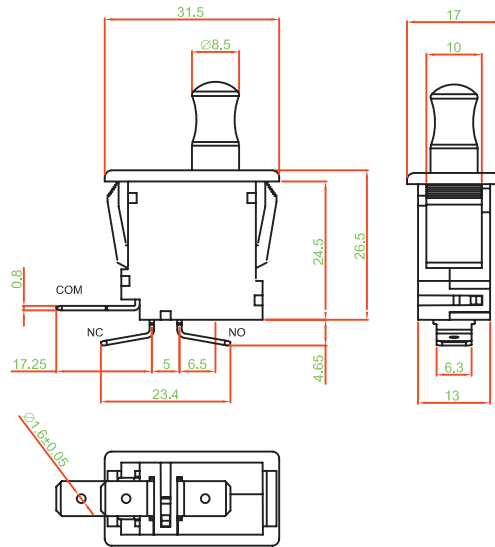


PS014 SERIES

PUSH BUTTON SWITCH

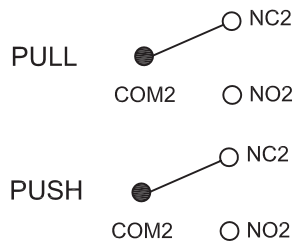
▶ DIMENSION

PS014-N12BBWW

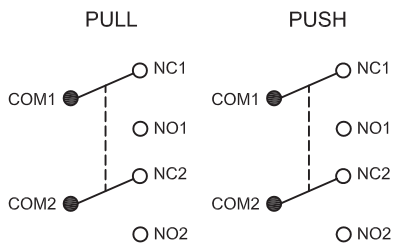


▶ CIRCUIT

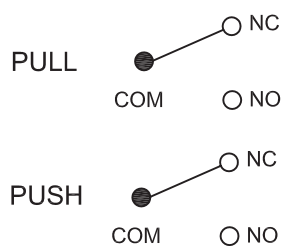
PS014-N12AAWW



PS014-N22AAWW



PS014-N12BBWW



▶ PANEL CUT OUT

PS014-N□2AA□□	
PANEL THICK	W
0.75 ~ 1.25	36
1.25 ~ 2.0	36.5
2.0 ~ 3.0	37

PS014-N12BB□□	
PANEL THICK	W
0.75 ~ 1.25	28
1.25 ~ 2.0	28.5
2.0 ~ 3.0	29



▶ MATERIAL

- ACTUATOR : PA66
- FRAME : PA66
- SPRING : STAINLESS STEEL
- TERMINAL : PHOSPHOR BRONZE SILVER PLATING
- MOVING CONTACT : PHOSPHOR BRONZE SILVER PLATING

▶ UNIT WEIGHT

- PS014-N12AAWW : 13.5 ± 0.1 g / pc
- PS014-N22AAWW : 18.9 ± 0.1 g / pc
- PS014-N12BBWW : 12.2 ± 0.1 g / pc